

Hammer operation is only allowed in specified areas.

Specification Data

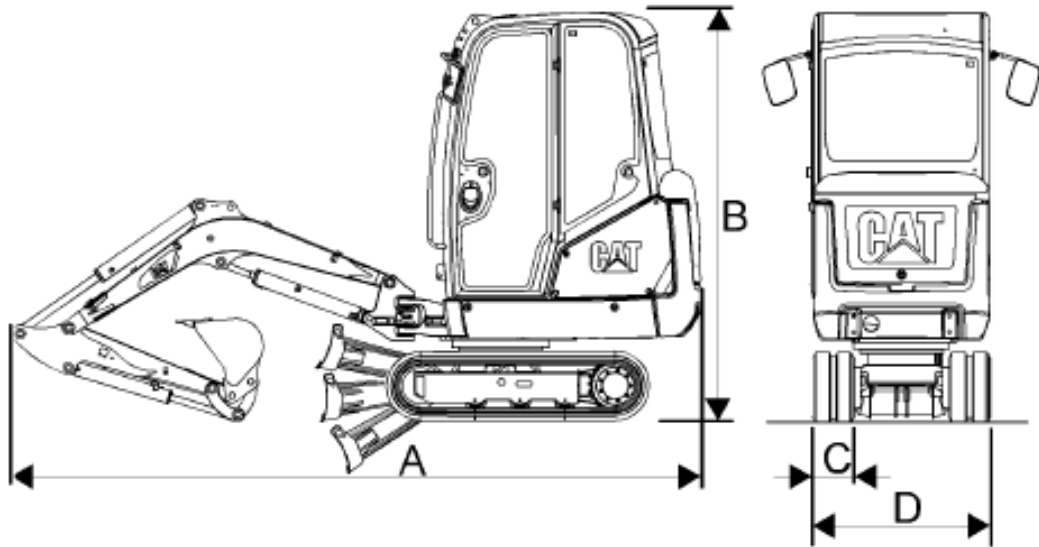


Illustration 33

g03112500

Table 2

	301.7D	302.2D	302.4D
Service weight with canopy	1745 kg (3847 lb)		2210 kg (4872 lb)
Service weight with canopy and adjustable gauge undercarriage	1870 kg (4123 lb)	2025 kg (4464 lb)	
Service weight with cab	1855 kg (4090 lb)		2320 kg (5115 lb)
Service weight with cab and adjustable gauge undercarriage	1980 kg (4365 lb)	2135 kg (4707 lb)	
Transport weight with canopy	1610 kg (3549 lb)		2065 kg (4553 lb)
Transport weight with canopy and adjustable gauge undercarriage	1735 kg (3825 lb)	1880 kg (4145 lb)	
Transport weight with cab	1720 kg (3792 lb)		2175 kg (4795 lb)
Transport weight with cab and adjustable gauge undercarriage	1845 kg (4068 lb)	1990 kg (4387 lb)	
Transport length (A)	3855 mm (12 ft 8 inch)	4050 mm (13 ft 4 inch)	4030 mm (13 ft 3 inch)
Height (B)	2290 mm (7 ft 6 inch)	2295 mm (7 ft 6 inch)	2390 mm (7 ft 10 inch)
Track width (C)	230 mm (9 inch)	250 mm (10 inch)	250 mm (10 inch)
Width (D)	990/1300 mm (3 ft 3 inch/4 ft 3 inch) ⁽¹⁾	990/1300 mm (3 ft 3 inch/4 ft 3 inch) ⁽¹⁾	1400 mm (4 ft 7 inch)

⁽¹⁾ Retracted/extended telescopic undercarriage

Working Ranges

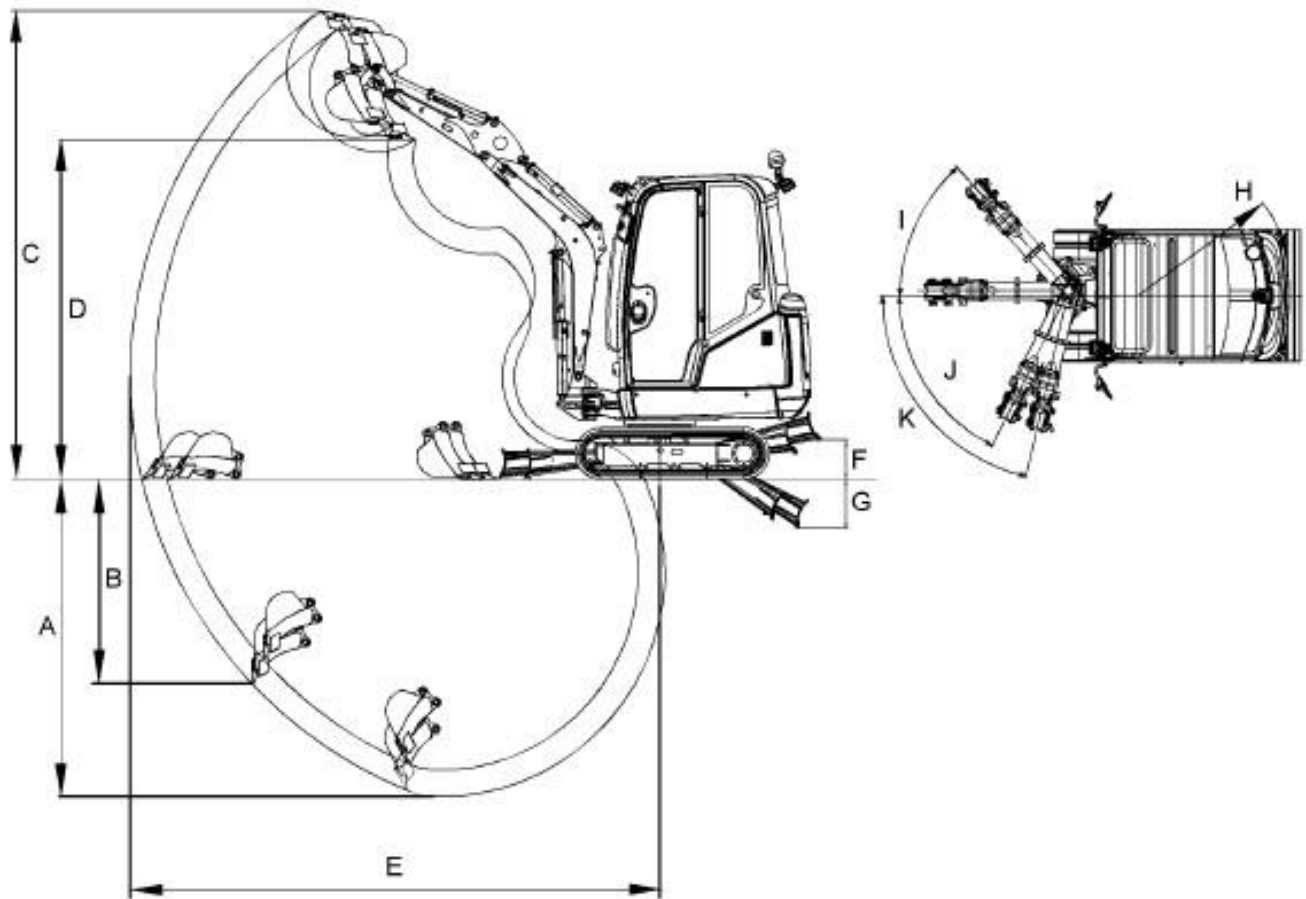


Illustration 34

g03112676

Table 3

	301.7D	302.2D	302.4D
Maximum digging depth (Short Stick) (A)	2200 mm (7 ft 3 inch)	2490 mm (8 ft 2 inch)	2500 mm (8 ft 2 inch)
Maximum digging depth (Long Stick) (A)	2400 mm (7 ft 11 inch)	2690 mm (8 ft 10 inch)	2700 mm (8 ft 10 inch)
Maximum verticle digging depth (Short Stick) (B)	1430 mm (4 ft 8 inch)	1670 mm (5 ft 6 inch)	1660 mm (5 ft 5 inch)
Maximum verticle digging depth (Long Stick) (B)	1620 mm (5 ft 4 inch)	1850 mm (6 ft 1 inch)	1850 mm (6 ft 1 inch)

(continued)