

Hammer operation is only allowed in specified areas.

Specification Data

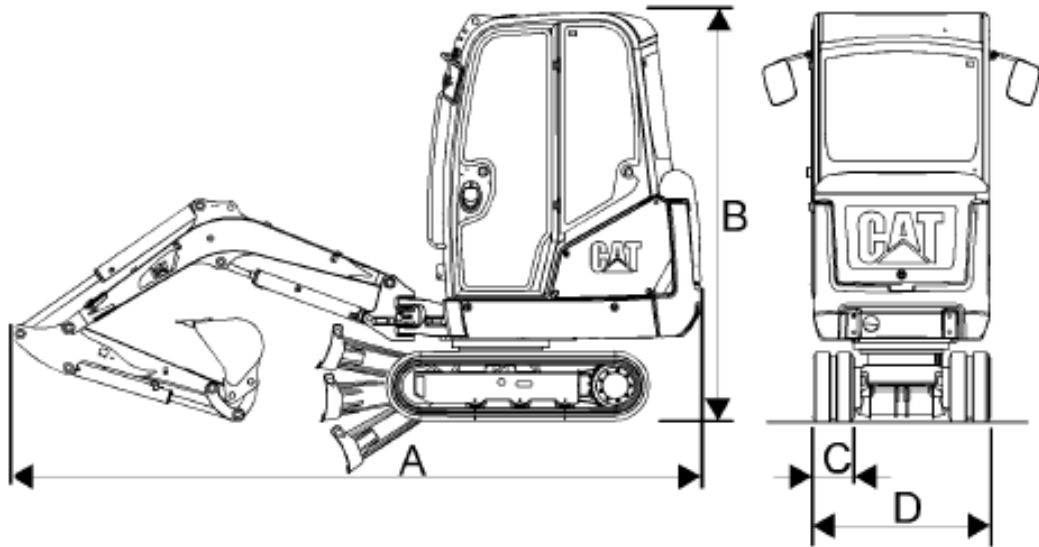


Illustration 33

g03112500

Table 2

	301.7D	302.2D	302.4D
Service weight with canopy	1745 kg (3847 lb)		2210 kg (4872 lb)
Service weight with canopy and adjustable gauge undercarriage	1870 kg (4123 lb)	2025 kg (4464 lb)	
Service weight with cab	1855 kg (4090 lb)		2320 kg (5115 lb)
Service weight with cab and adjustable gauge undercarriage	1980 kg (4365 lb)	2135 kg (4707 lb)	
Transport weight with canopy	1610 kg (3549 lb)		2065 kg (4553 lb)
Transport weight with canopy and adjustable gauge undercarriage	1735 kg (3825 lb)	1880 kg (4145 lb)	
Transport weight with cab	1720 kg (3792 lb)		2175 kg (4795 lb)
Transport weight with cab and adjustable gauge undercarriage	1845 kg (4068 lb)	1990 kg (4387 lb)	
Transport length (A)	3855 mm (12 ft 8 inch)	4050 mm (13 ft 4 inch)	4030 mm (13 ft 3 inch)
Height (B)	2290 mm (7 ft 6 inch)	2295 mm (7 ft 6 inch)	2390 mm (7 ft 10 inch)
Track width (C)	230 mm (9 inch)	250 mm (10 inch)	250 mm (10 inch)
Width (D)	990/1300 mm (3 ft 3 inch/4 ft 3 inch) ⁽¹⁾	990/1300 mm (3 ft 3 inch/4 ft 3 inch) ⁽¹⁾	1400 mm (4 ft 7 inch)

⁽¹⁾ Retracted/extended telescopic undercarriage

Working Ranges

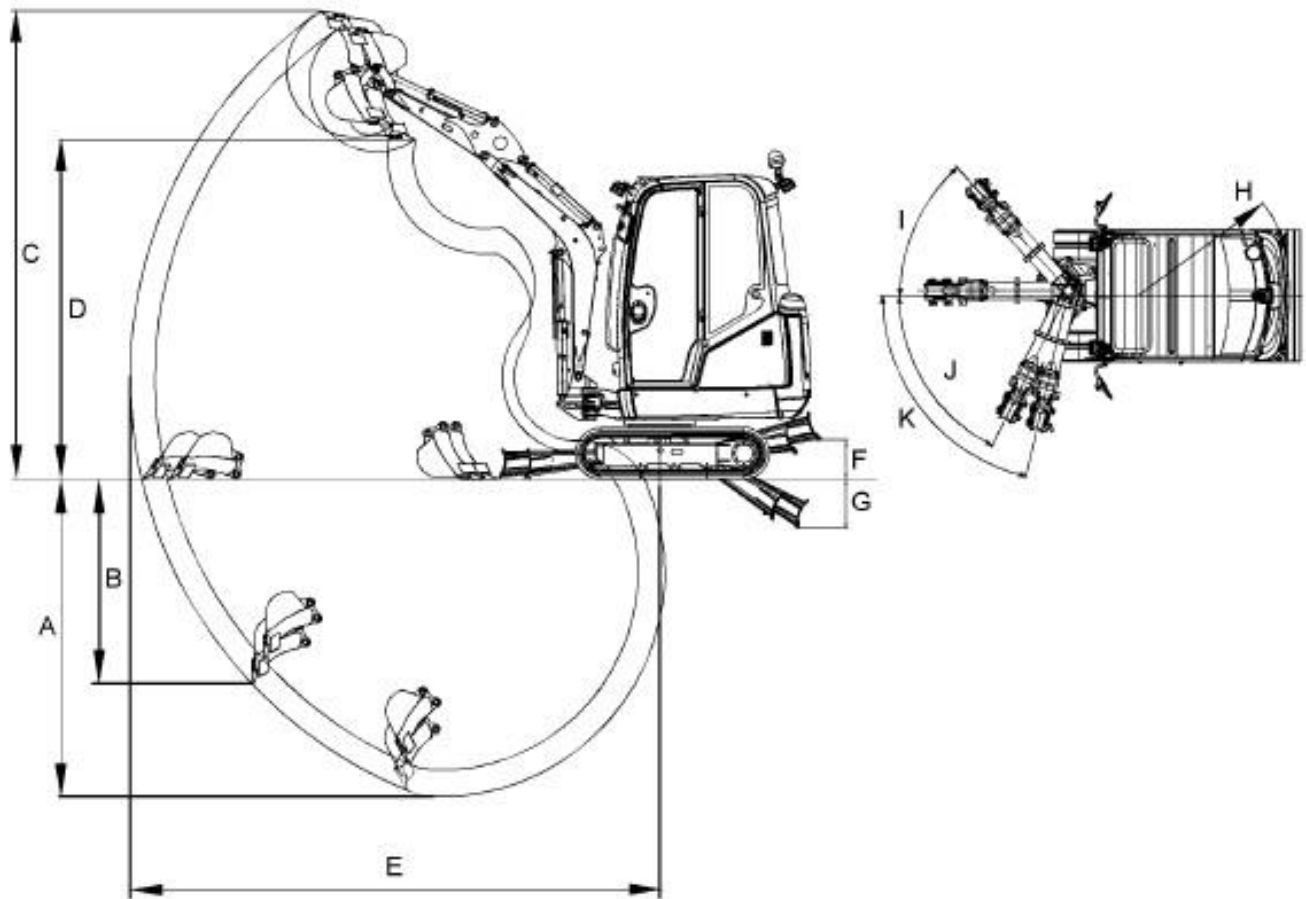


Illustration 34

g03112676

Table 3

	301.7D	302.2D	302.4D
Maximum digging depth (Short Stick) (A)	2200 mm (7 ft 3 inch)	2490 mm (8 ft 2 inch)	2500 mm (8 ft 2 inch)
Maximum digging depth (Long Stick) (A)	2400 mm (7 ft 11 inch)	2690 mm (8 ft 10 inch)	2700 mm (8 ft 10 inch)
Maximum verticle digging depth (Short Stick) (B)	1430 mm (4 ft 8 inch)	1670 mm (5 ft 6 inch)	1660 mm (5 ft 5 inch)
Maximum verticle digging depth (Long Stick) (B)	1620 mm (5 ft 4 inch)	1850 mm (6 ft 1 inch)	1850 mm (6 ft 1 inch)

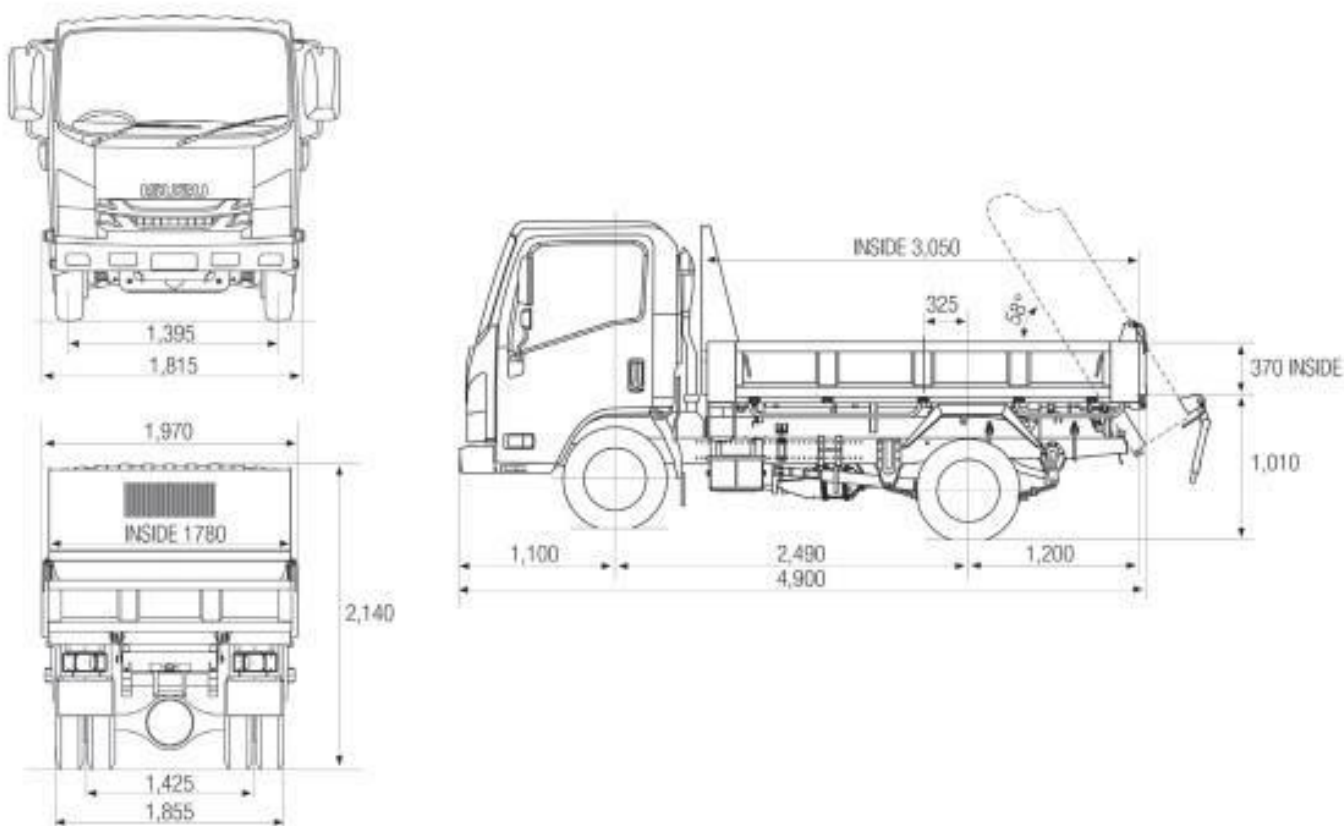
(continued)

SPECIFICATIONS

WEIGHTS (kg)

Models	Ratings*		Loading Limit* (at ground)		Cab Chassis Weight #		
	GVM	GCM	Front	Rear	Front	Rear	Total
NLR 45-150 TIPPER	4,500	7,000	1,950	3,700	1,515	1,210	2,725
NLR 45-150 AMT TIPPER	4,500	7,000	1,950	3,700	1,535	1,235	2,770

* Vehicle ratings and front/rear weight limits are subject to government regulatory requirements and weight distribution analysis. Consult your Isuzu dealer to select the correct vehicle for your specific application. # Cab chassis only as supplied and including 10 litres of fuel.



PERFORMANCE (calculated - typical paved road)

		Geared Speed* (top gear at peak power engine RPM)	Low Speed Gradeability (lowest forward gear assuming no wheel slip)	Engine Speed (top gear at 100km/h)
NLR 45-150 TIPPER	At 4,500 kg GVM	108 km/h @ 2,800 RPM	55%	2,590 RPM
NLR 45-150 AMT TIPPER	At 4,500kg GVM	116 km/h @ 2,800 RPM	56%	2,425 RPM

*Maximum speed achievable depends on vehicle frontal area as well as other factors. Consult your Isuzu dealer for more detailed information.

ISUZU WARRANTIES

STANDARD¹

New Vehicle 3 years • 100,000km • 2,000 hours

Isuzu Assist: 24 hour roadside assistance (3 years, unlimited km)²

EXTENDED CARE²

Extended Warranty: 5 years • 250,000km • 4,500 hours

Isuzu Assist: 24 hour roadside assistance (5 years, unlimited km)

ORDER CODES

Model	Code
NLR 45-150 TIPPER	NH-NLRBA-A15
NLR 45-150 AMT TIPPER	NH-NLRBA-Z16

¹ Subject to the conditions outlined in the IAL New Vehicle Warranty, the Isuzu NLR model carries a standard factory warranty which covers the owner: (i) for the entire vehicle, for the first 36 months or 100,000 km or 2,000 hrs (whichever comes first); (ii) against cab perforation corrosion, for 36 months and unlimited kilometres. ² Extended Warranty as illustrated may be purchased to cover the owner against the failure of original components, but may exclude some components and expendable items such as oil, filters, etc. *Valid for three years from the date of new vehicle purchases. All Isuzu warranties are subject to mandatory prescribed terms under Australian Consumer law including customer guarantees. For more details visit the Isuzu website which explains Isuzu warranties in more detail, or alternatively contact your local dealer. All warranties commence from date of delivery.

ISUZU AUSTRALIA LIMITED ABN 97 006 962 572 ("IAL"). The information in this spec sheet was correct at time of printing, but all measurements, specifications and equipment are subject to change without notice. Some equipment may have been changed and/or is available at extra cost. IAL may make changes at any time without notice, in prices, colours, materials, equipment and models. IAL makes all reasonable attempts to ensure the availability of all vehicles and equipment. The information in this spec sheet is general in nature. Your Isuzu dealer can confirm all measurements, specifications and vehicle / equipment availability upon request. To the

We
share
the
load

ISUZU

RELIABILITY IS EVERYTHING

Machine Rating

Rated operating capacity (ISO 14397-1)	343 kg
Tipping load (ISO 14397-1)	686 kg
Pump capacity	37.00 L/min
System relief at quick couplers	20.7 MPa
Max. travel speed (low range)	9.8 km/h

Engine

Make / Model	Kubota / D1005-E4B-BC-3
Fuel	Diesel
Cooling	Liquid
Power at 3000 RPM	17.5 kW
Torque at 1425 RPM (SAE J1995 Gross)	62.8 Nm
Number of cylinders	3
Displacement	1001 cm ³
Fuel tank	24.60 L

Weights

Operating weight	1268 kg
Shipping weight	1109 kg

Controls

Vehicle steering	Direction and speed controlled by two hand levers
Loader hydraulics tilt and lift	Separate foot pedals
Front auxiliary (standard)	Lateral movement of right-hand steering lever

Drive System

Transmission	Infinitely variable tandem hydrostatic piston pumps, driving two fully reversing hydrostatic motors
--------------	---

Standard Features

Automatically activated glow plugs	Operator cab ¹
Bob-Tach™ frame	Parking brake
Bobcat Interlock Control System (BICS)	Rear and top window
Front auxiliary hydraulics	Seat belt
Cushion suspension seat	Seat bar
Instrumentation	Spark arrestor muffler
Lift arm support	CE certification
23 x 5.70-12, 4-ply, Narrow tyres	Warranty: 12 months or 2000 hours (whichever occurs first)
Operating lights, front and rear	

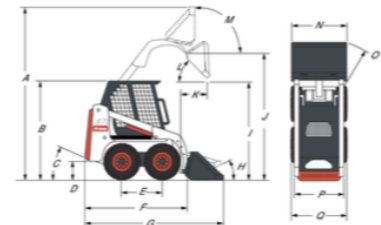
1. Roll Over Protective Structure (ROPS) – meets requirements of SAE-J1040 and ISO 3471

Options

Cab enclosure with heating	Back-up alarm
23 x 8.50-12 6-ply, heavy duty tyres	

Environmental

Operator LpA(98/37 & 474-1)	86 dB(A)
Operator LpA uncertainty	2.5
Noise level LWA(EU Directive 2000/14/EC)	97 dB(A)
Noise level LWA uncertainty	
Whole body vibration (ISO 2631-1)	1.29 ms ⁻²
Whole body vibration uncertainty	
Hand-arm vibration (ISO 5349-1)	1.54 ms ⁻²
Hard-arm vibration uncertainty	

Dimensions


(A)	3051.0 mm	(J)	2399.0 mm
(B)	1814.0 mm	(K)	400.0 mm
(C)	25.0°	(L)	34.0°
(D)	141.0 mm	(M)	97.0°
(E)	722.0 mm	(N)	914.0 mm
(F)	1925.0 mm	(O)	1557.0 mm
(G)	2472.0 mm	(P)	752.0 mm
(H)	22.0°	(Q)	901.0 mm
(I)	1934.0 mm		

Attachments

Angle Brooms	Pallet Fork Accessories
Augers	Pallet Forks, Standard
Boring Units	Root Grapples
Breakers	Snow Blowers
Cutter Crushers	Soil Conditioners
Dirt Buckets	Spare Wheels
Dozer Blades	Stump Grinders
Dumping Hoppers	Sweepers
General Purpose (GP)	Tillers
Bucket	Tree Forks
Grapples, Industrial	Trenchers
Landplanes	Utility Forks
Miscellaneous	